



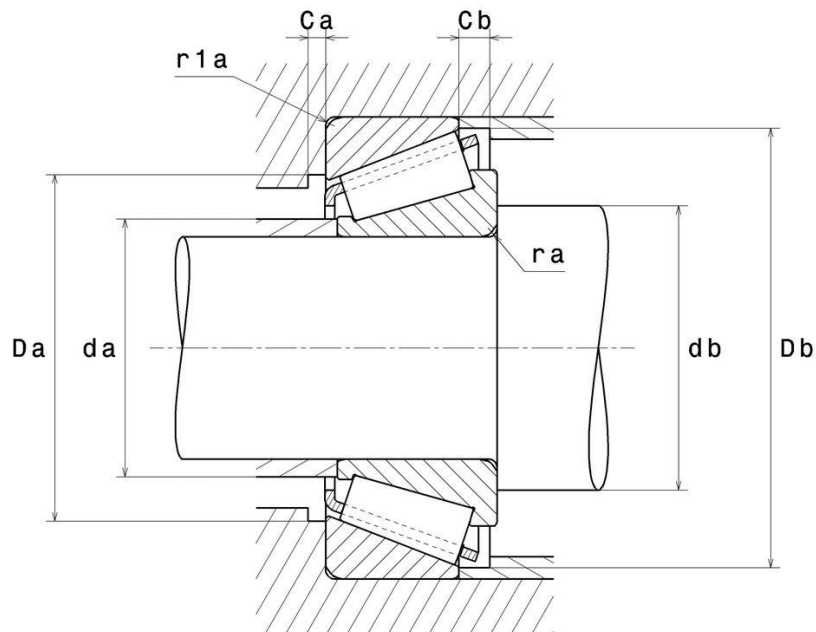
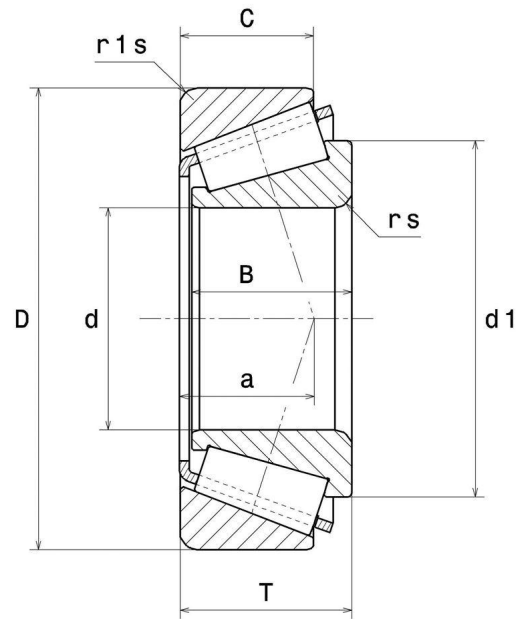
Technical data

4T-320/32X

Single row tapered roller bearings

Tapered roller bearing, pressed steel cage

VISUAL (S)



4T-320/32X

Single row tapered roller bearings

PRODUCT DEFINITION

Brand	NTN
d - Internal diameter	32 mm
D - External diameter	58 mm
B - Bearing/Inner ring width	17 mm
C - Outer ring width	13 mm
T - Total width	17 mm
d1 - External diameter inner ring	46 mm
a - Charge load application point	14.5 mm
rs - Min fillet radius	1 mm
r1s - Min fillet radius	1 mm
Mass	0.188 kg
ISO 355 reference	T4CC032

PRODUCT PERFORMANCE

C - Dynamic load	41 kN
C0 - Static load	46.5 kN
Cu - Fatigue limit load	5.7 kN
A2 - Rating life coefficient	1
e - Coefficient	0.45
Y0 - Static axial load coefficient	0.73
Y2 - Upper axial load coefficient	1.32
N lim - Oil lubrication limit speed	8700 tr/min
N lim - Grease lubrication limit speed	6600 tr/min
Tmin - Min operating temperature	-40 °C



NTN Europe

1 rue des Usines · BP 2017 · 74010 Annecy Cedex · France · Tel. +33 (0)4 50 65 30 00
S.A. au capital de 322 639 919 € · RCS ANNECY B 325 821 072 · Id. Fiscale : FR 48 325 821 072
SIRET 325 821 072 00015 · Code APE 2815 Z · Code NACE 28.15

4T-320/32X

Single row tapered roller bearings

PRODUCT PERFORMANCE

Tmax - Max operating temperature	120 °C
---	--------

ABUTMENT

da max - Max shoulder diameter IR	38 mm
db min - Min IR shoulder diameter	37.5 mm
Da min - Min shoulder diameter OR	50 mm
Da max - Max shoulder diameter OR	52.5 mm
Db min - Min OR shoulder diameter	55 mm
Ca - Min clearance	3 mm
Cb - Min clearance	4 mm
ra max - Max fillet radius	1 mm
r1a - Max fillet radius	1 mm



NTN Europe

1 rue des Usines · BP 2017 · 74010 Annecy Cedex · France · Tel. +33 (0)4 50 65 30 00
S.A. au capital de 322 639 919 € · RCS ANNECY B 325 821 072 · Id. Fiscale : FR 48 325 821 072
SIRET 325 821 072 00015 · Code APE 2815 Z · Code NACE 28.15

INDUSTRY CALCUL FACTORS

Equivalent dynamic radial load

$$P = X.F_r + Y.F_a$$

$F_a / F_r \leq e$		$F_a / F_r > e$	
X	Y	X	Y
1	0	0.4	Y2

Equivalent static radial load

$$P_0 = X_0.F_r + Y_0.F_a$$

X_0	Y_0
0.5	Y0

If $P_0 \leq F_r$, then use $P_0 = F_r$

The values for e, Y2 and Y0 are shown in the above table

